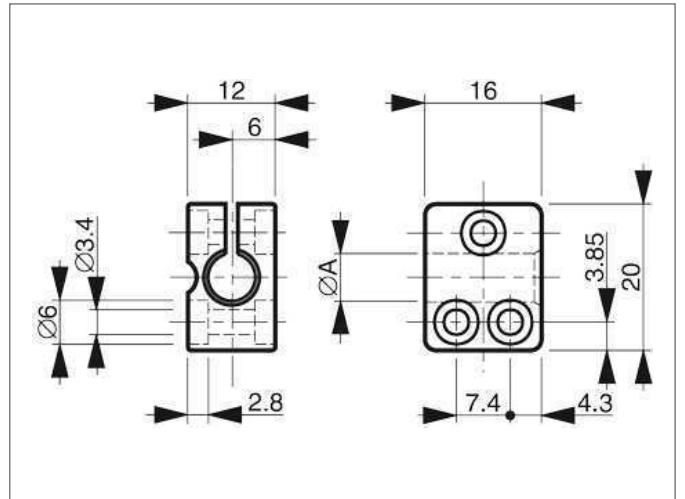


## SH 4 Sensor Holder

- For cylindrical Sensors of  $\varnothing$  4 mm or thread M4
- Simple installation
- Reduced mounting/downtimes thanks to one-piece construction
- Sensor exchange without changing the clamp position
- Oblong holes permit clamp adjustment



### TECHNICAL INFORMATION (typ.)

Size

**+20°C, 24V DC**

12 x 16 x 20 mm (Dimensions)  
4,0 mm (Clamping diameter A)

Characteristics

without limit stop

Casing material

plastics (polyamide - PA 6 GK)